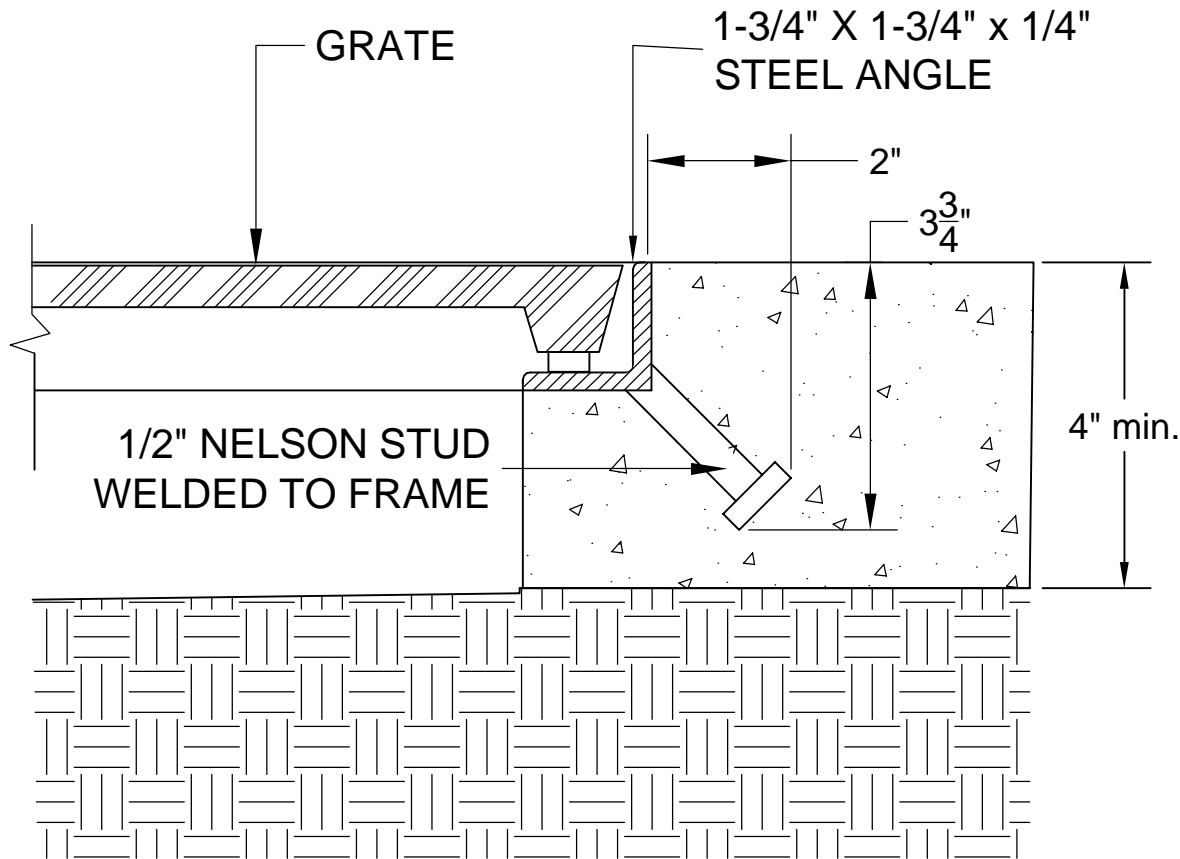


**DETAIL #1**



standard concrete  
anchors for use in  
new concrete

**TREE GRATE FRAME INSTALLATION DETAIL  
STANDARD CONCRETE ANCHOR**

This drawing embodies a confidential proprietary design of IRONSMITH, INC. Palm Desert, Ca. All design, manufacturing, reproduction, use, sale, and other rights regarding the same are expressly reserved. This drawing is submitted under confidential relationship for a specific purpose and the recipient agrees by accepting this drawing not to supply or disclose any information regarding it to any unauthorized person or to incorporate any special feature peculiar to this design in other projects. The information in this drawing may be covered completely or in part by patents pending.

**IRONSMITH**  
41-701 Corporate Way #3  
Palm Desert, CA 92260  
(800) 338-4766  
(760) 776-5080 Fax