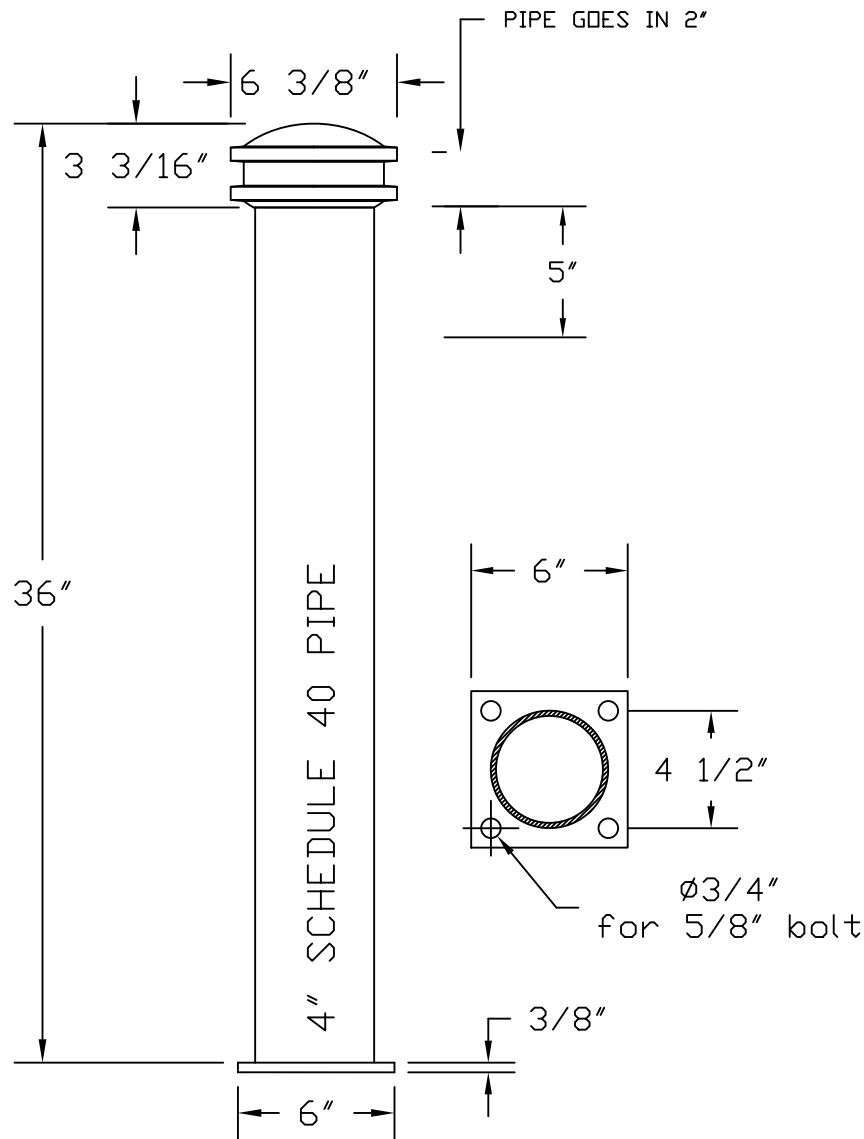


ATLANTIAN
Pipe Bollard
Surface mount
9029-4S

Aluminum cap affixed
to Schedule 40 steel
pipe column with
industrial adhesive.

$\frac{3}{8}$ " steel base plate
fully welded to column.
 $\frac{5}{8}$ " mounting bolts to
be selected and
supplied by installer.

Finish:
Black Powder coat



This drawing embodies a confidential proprietary design of IRONSMITH, INC. Palm Desert, Ca. All design, manufacturing, reproduction, use, sale, and other rights regarding the same are expressly reserved. This drawing is submitted under confidential relationship for a specific purpose and the recipient agrees by accepting this drawing not to supply or disclose any information regarding it to any unauthorized person or to incorporate any special feature peculiar to this design in other projects. The information in this drawing may be covered completely or in part by patents pending.

IRONSMITH
41-701 Corporate Way #3
Palm Desert, CA 92260
(800) 338-4766
(760) 776-5080 Fax