

6090L

Bond Street

60" x 60"

tree grate in two sections. Two lightwells as shown. To be used exclusively with TGL-2 series IRONSMITH Lamp assembly. Lamp sold separately from Tree Grate.

1/2" maximum slot opening for A.D.A. compliance and pedestrian safety.

Cast from 100% recycled Iron, Aluminum, or Bronze for Pedestrian loads only.

Tree opening:  
16", 36"  
Grates can be ordered with or later expanded to these openings.

Finish: Unfinished, or Black Dip, or Enamel Paint, or Polyurethane Paint, or Powder Coat. Zinc undercoat available.

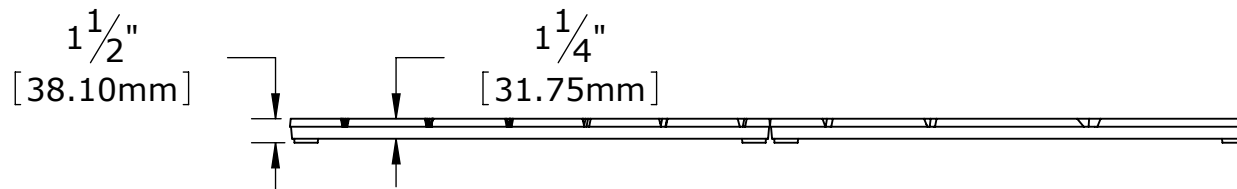
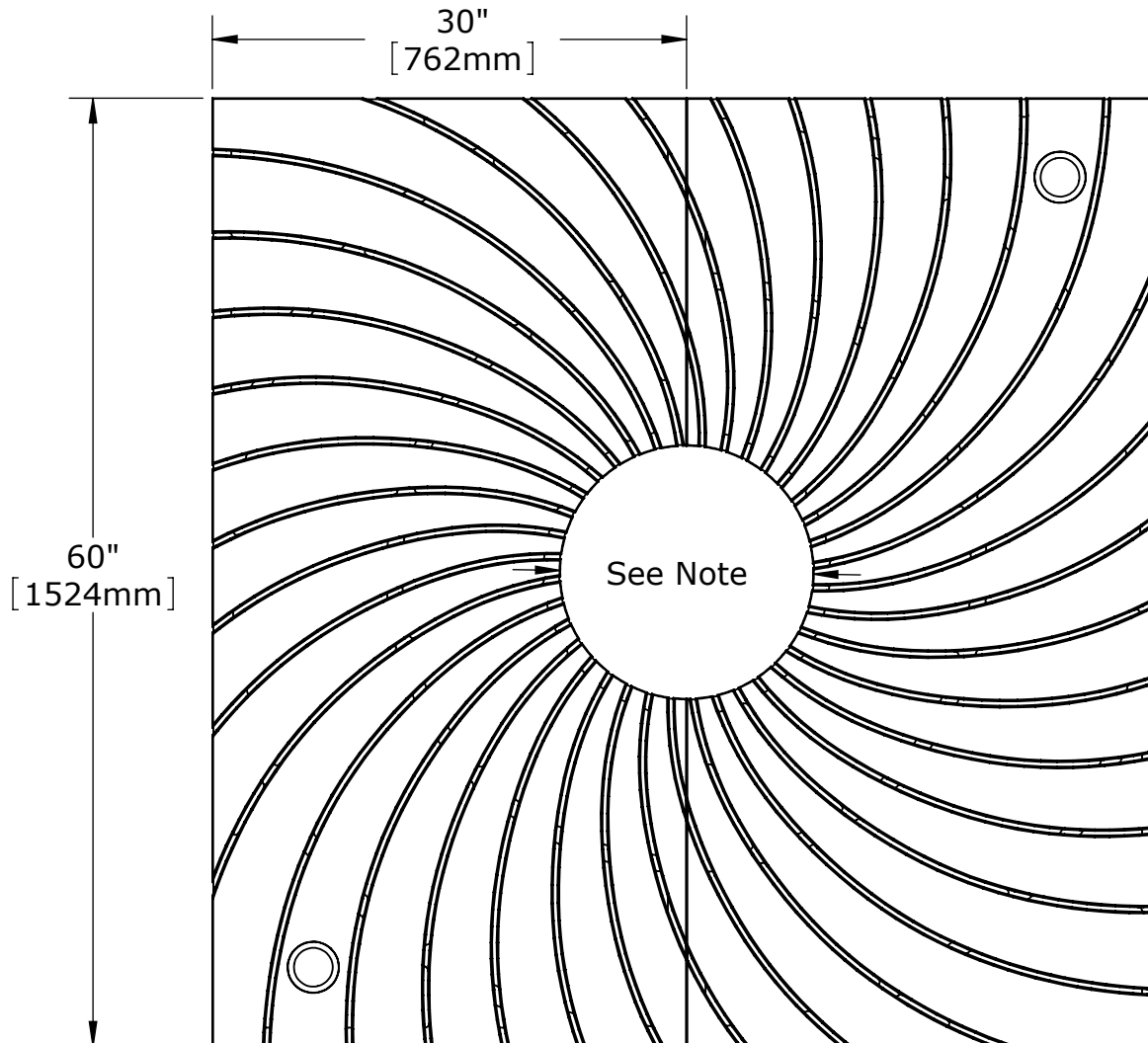
Specify finish and color.

Use Frame Model:  
6000F

Weight:  
Iron=485 lb/ 220Kg  
Aluminum=185 lb/ 85Kg

DO NOT SCALE DRAWING

**IRONSMITH**  
41-701 Corporate Way #3  
Palm Desert, CA 92260  
(800) 338-4766  
(760) 776-5080 Fax



**PROPRIETARY AND CONFIDENTIAL**

This drawing embodies a confidential design of IRONSMITH, INC. Palm Desert, CA. All design, manufacturing, reproduction, use, sale, and other rights regarding the same are expressly reserved. This drawing is submitted under confidential relationship for a specific purpose and the recipient agrees by accepting this drawing not to supply or disclose any information regarding it to any unauthorized person or to incorporate any special feature peculiar to this design in other projects. The information in this drawing may be covered completely or in part by patents pending.