

**4809/08  
OLYMPIAN  
TREE GRATE**

48" Half Round, Half Square tree grate in two sections. Two lightwells with bolted covers as shown.

1/4 Maximum slot opening for pedestrian safety and A.D.A Compliance.

Cast from 100% recycled Iron, Aluminum, or Bronze for pedestrian loads only.

Tree opening: 16", 20", 24"  
Grates can be orderd with or later expanded to these openings. please specify when ordering.

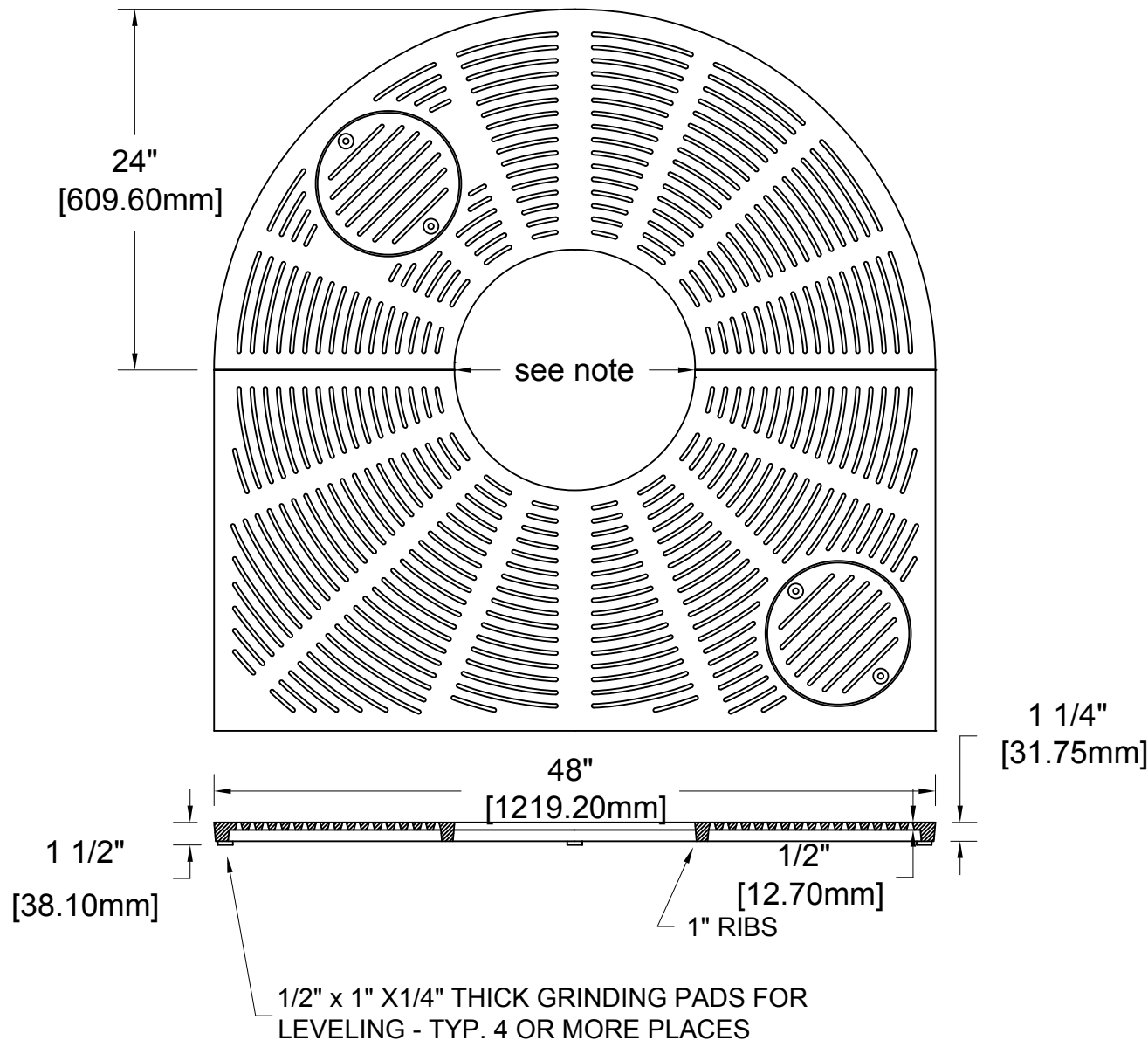
Finish: unfinished or Black dip or Enamel paint or Polyurethane Paint or Powder coat  
Specify finish and color

Use frame model: 4800/01F

Weight:  
Iron= 265 lb/ 1120 Kg  
Aluminum=101 lb/46 Kg

**IRONSMITH**

41-701 Corporate Way #3  
Palm Desert, CA 92260  
800.338.4766



This drawing embodies a confidential proprietary design of IRONSMITH, INC. Palm Desert, Ca. All design, manufacturing, reproduction, use, sale, and other rights regarding the same are expressly reserved. This drawing is submitted under confidential relationship for a specific purpose and the recipient agrees by accepting this drawing not to supply or disclose any information regarding it to any unauthorized person or to incorporate any special feature peculiar to this design in other projects. The information in this drawing may be covered completely or in part by patents pending.