

NO.	PART
1	Sub-Frame
2	1/2" Square Bar
3	#3 Grating
4	3/8" Nut
5	24" tree insert
6	3/8" SS Screw
7	24" Trim Ring

**6224  
Paver-Grate(tm)  
+ Trim Ring**

72" x 72" Paver-Grate.  
From 2-1/2" x 2-1/2" x  
3/16" Mild Steel Angle.  
1/2" Square bar perimeter  
trim. Top panel from #3  
Structural steel catwalk  
grating.

Trim Ring: Cast from  
100% Recycled Iron,  
Aluminum,  
or Bronze for pedestrian  
loads only. 1/2" maximum  
slot openings for  
pedestrian safety and  
A.D.A. compliance.

Tree Opening: 16", 20",  
24" Grates can be ordered  
with or later expanded to  
these openings. Please  
specify when ordering.  
Tree well size: 68" x 68"

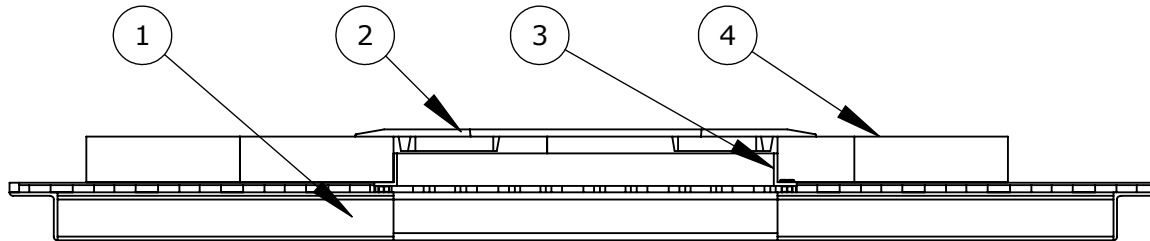
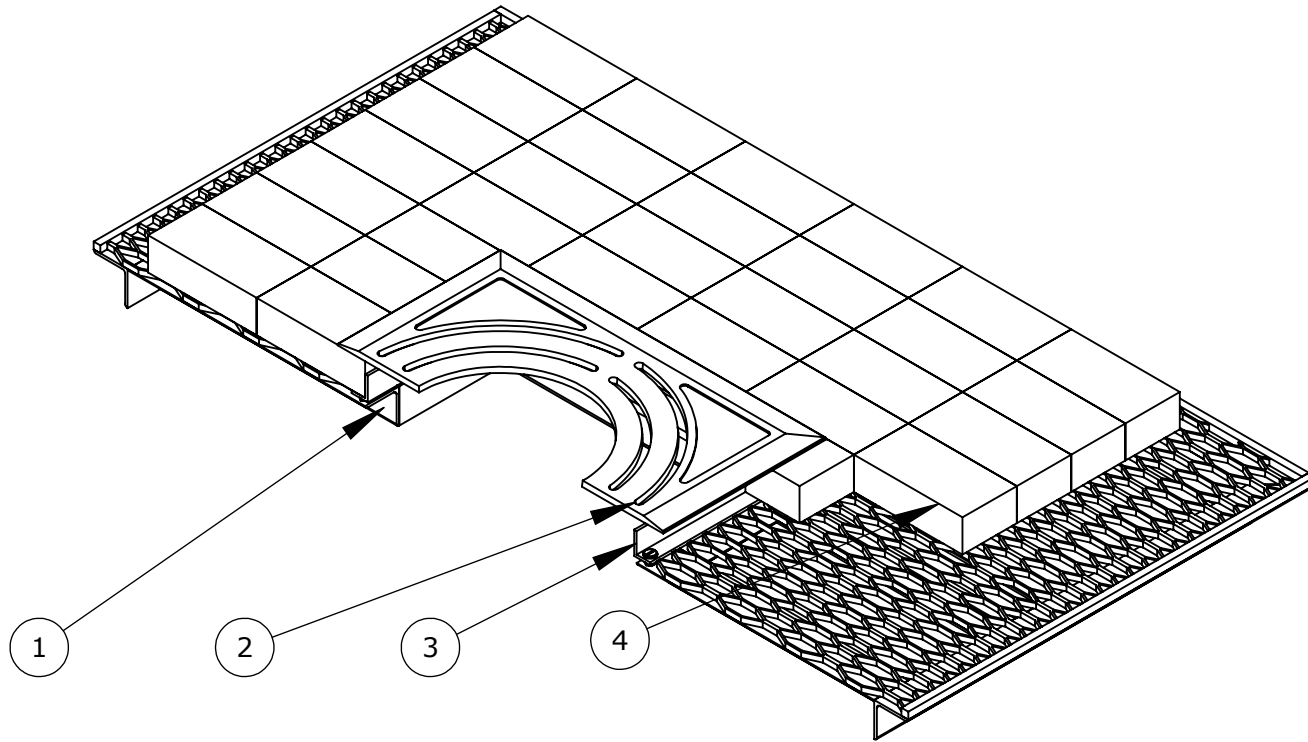
Finish:  
Steel: Galvanized  
Trim Ring: Unfinished,  
Black Dip or  
Enamel Paint or  
Polyurethane Paint or  
Powder Coat  
Specify Finish and color.

Weight: 395 Lb/180 Kg  
Produced under exclusive  
license U.S. Patent #  
5,787,637

This drawing embodies a confidential proprietary design of IRONSMITH, INC. Palm Desert, Ca. All design, manufacturing, reproduction, use, sale, and other rights regarding the same are expressly reserved. This drawing is submitted under confidential relationship for a specific purpose and the recipient agrees by accepting this drawing not to supply or disclose any information regarding it to any unauthorized person or to incorporate any special feature peculiar to this design in other projects. The information in this drawing may be covered completely or in part by patents pending.

**IRONSMITH**  
41-701 Corporate Way #3  
Palm Desert, CA 92260  
(800) 338-4766  
(760) 776-5080 Fax

Trim Ring  
Installed View



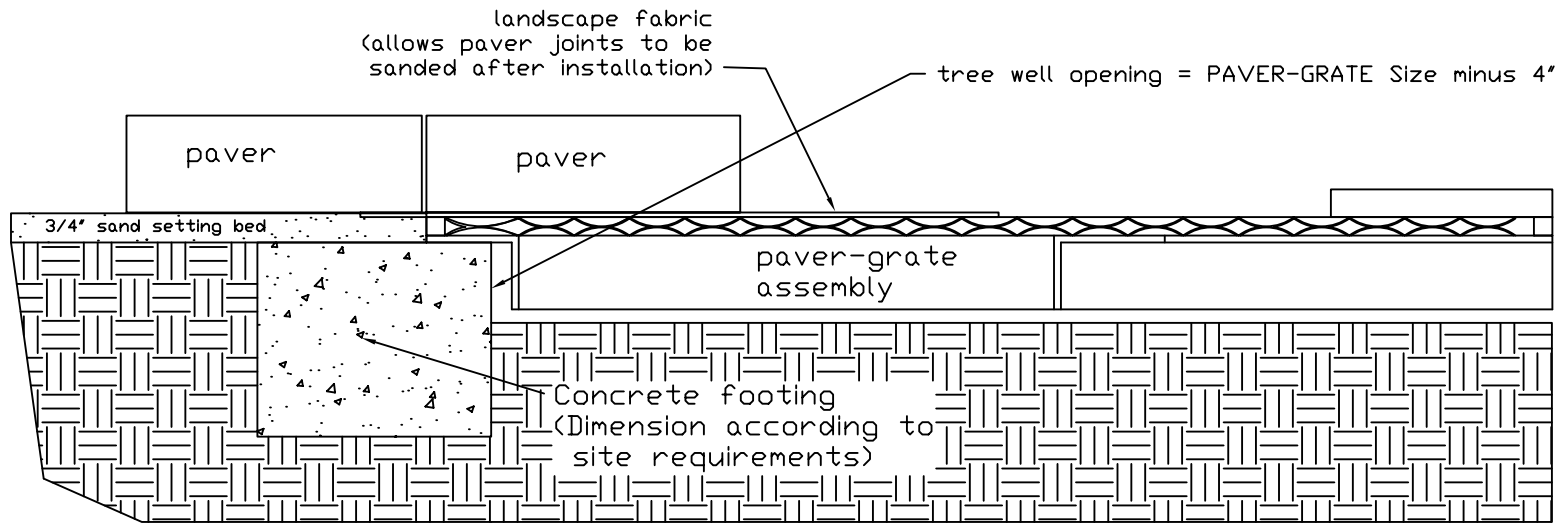
NO.	PART
1	Paver-Grate
2	Trim Ring
3	20in tree insert
4	Pavers

This drawing embodies a confidential proprietary design of IRONSMITH, INC. Palm Desert, Ca. All design, manufacturing, reproduction, use, sale, and other rights regarding the same are expressly reserved. This drawing is submitted under confidential relationship for a specific purpose and the recipient agrees by accepting this drawing not to supply or disclose any information regarding it to any unauthorized person or to incorporate any special feature peculiar to this design in other projects. The information in this drawing may be covered completely or in part by patents pending.

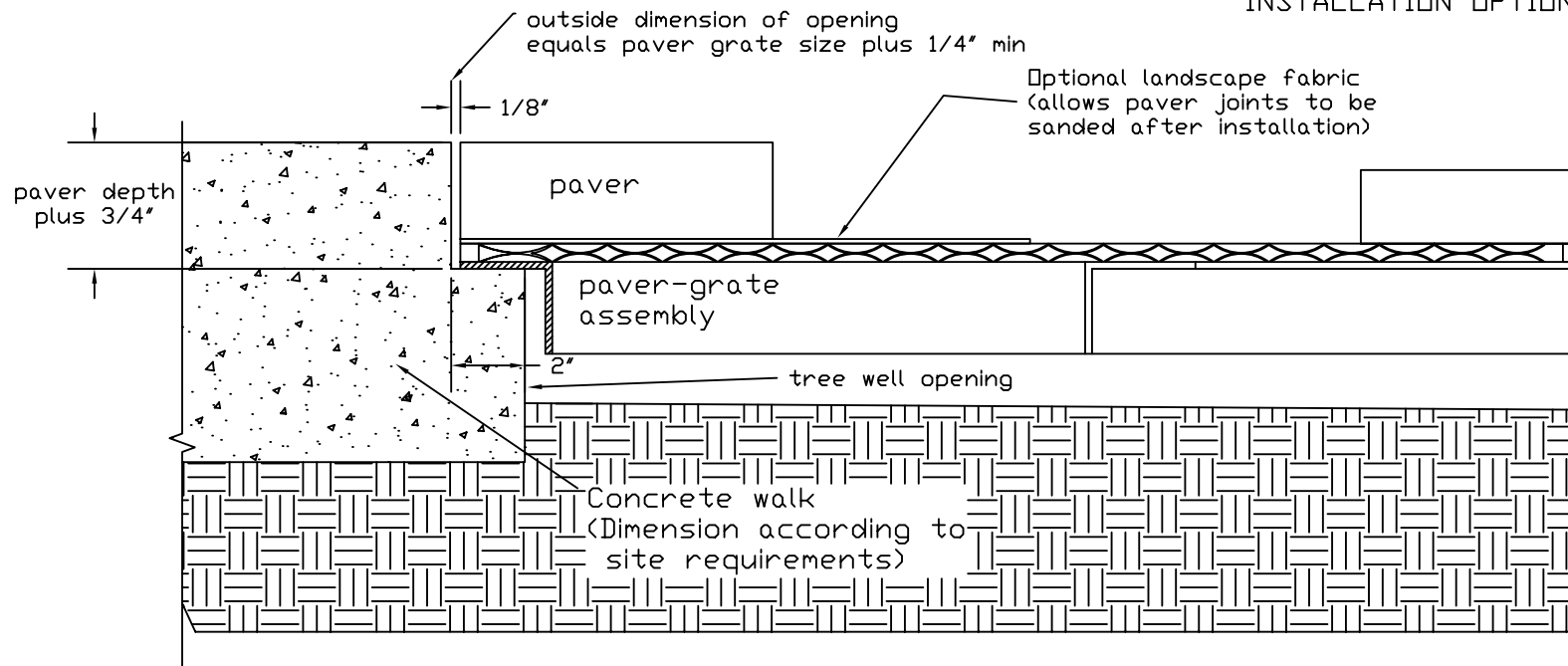
**IRONSMITH**  
 41-701 Corporate Way #3  
 Palm Desert, CA 92260  
 (800) 338-4766  
 (760) 776-5080 Fax

**PAVER-GRATE (TM)  
INSTALLATION  
DETAILS**

If using a mechanical compactor after paver installation avoid Paver-Grate area.



**INSTALLATION OPTIONS**



This drawing embodies a confidential proprietary design of IRONSMITH, INC. Palm Desert, Ca. All design, manufacturing, reproduction, use, sale, and other rights regarding the same are expressly reserved. This drawing is submitted under confidential relationship for a specific purpose and the recipient agrees by accepting this drawing not to supply or disclose any information regarding it to any unauthorized person or to incorporate any special feature peculiar to this design in other projects. The information in this drawing may be covered completely or in part by patents pending.

**IRONSMITH**  
41-701 Corporate Way #3  
Palm Desert, CA 92260  
(800) 338-4766  
(760) 776-5080 Fax

6224TR

### Olympian Trim Ring

28" Square trim ring grate in two sections.  
Fits 24" Tree opening in Paver-Grate

1/2" maximum slot opening for A.D.A. compliance and pedestrian safety.

Cast from 100% recycled Iron, Aluminum, or Bronze for Pedestrian loads only.

Tree opening: 16", 20", 24"  
Grates can be ordered with or later expanded to these openings.

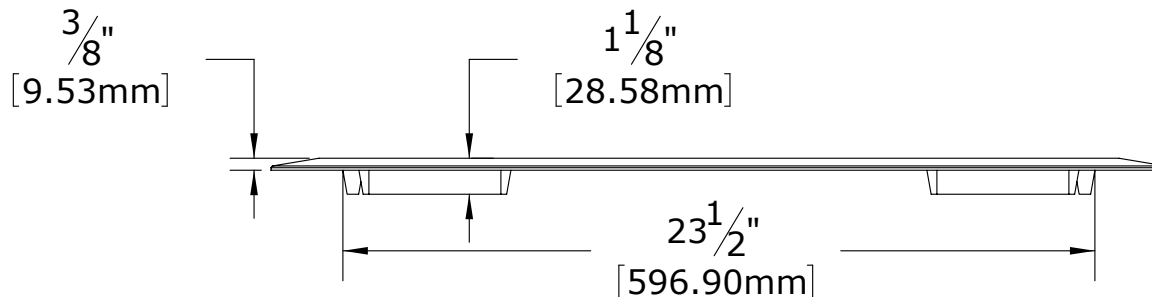
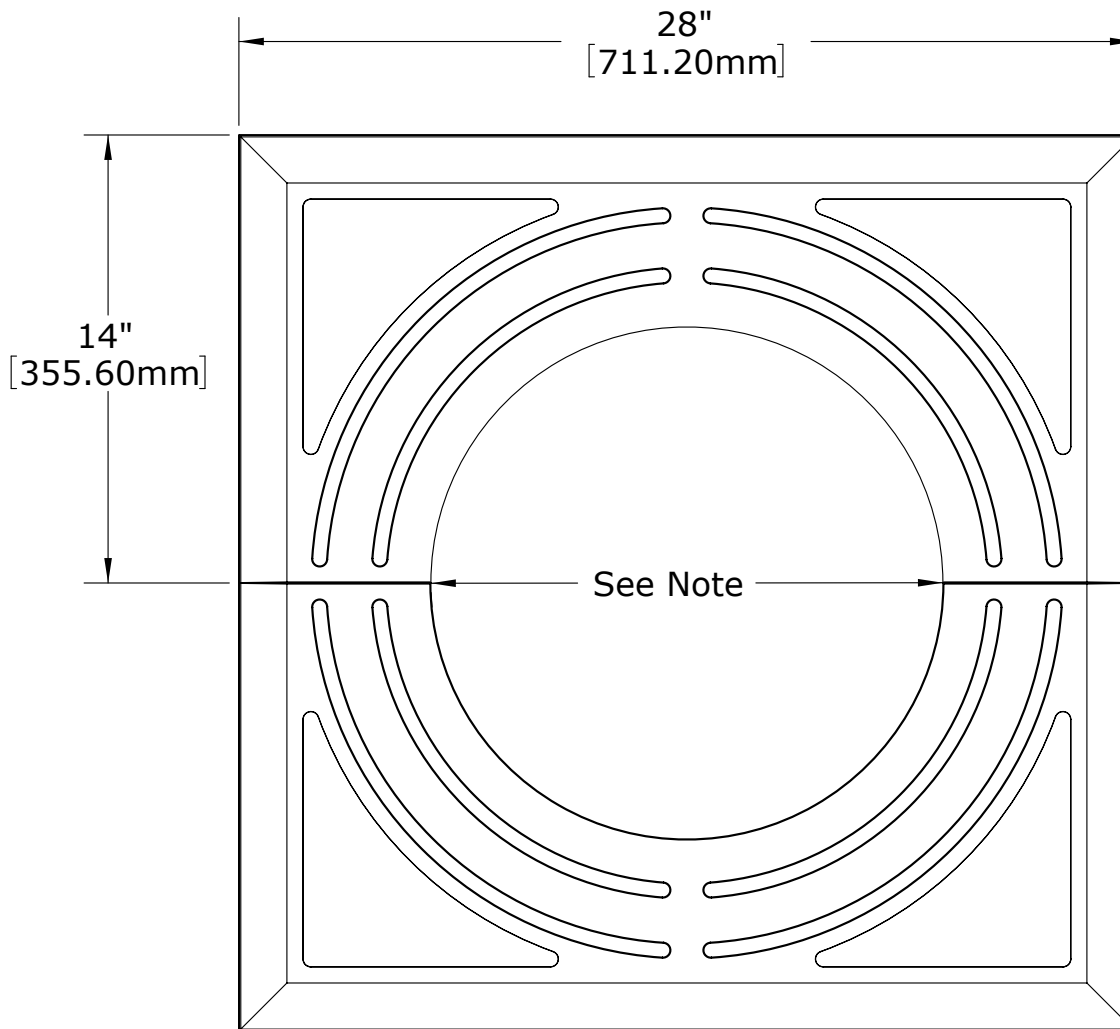
Finish: Unfinished, or Black Dip, or Enamel Paint, or Polyurethane Paint, or Powder Coat.  
Zinc undercoat available.

Specify finish and color.

Weight:  
Iron= 58Lb (26.4Kg)  
Aluminum= 22Lb (10Kg)

DO NOT SCALE DRAWING

**IRONSMITH**  
41-701 Corporate Way #3  
Palm Desert, CA 92260  
(800) 338-4766  
(760) 776-5080 Fax



**PROPRIETARY AND CONFIDENTIAL**

This drawing embodies a confidential design of IRONSMITH, INC. Palm Desert, CA. All design, manufacturing, reproduction, use, sale, and other rights regarding the same are expressly reserved. This drawing is submitted under confidential relationship for a specific purpose and the recipient agrees by accepting this drawing not to supply or disclose any information regarding it to any unauthorized person or to incorporate any special feature peculiar to this design in other projects. The information in this drawing may be covered completely or in part by patents pending.