

ITEM NO.	PART NUMBER
1	8220 Subframe
2	3/8"-16 Screw
3	3/8-16 Nut
4	Trim Ring
5	Paver Stop
6	#3 Grating

8224

Paver-Grate

96" x 96"

grate in two sections.

From 2-1/2" x 2-1/2" x 3/16" Mild Steel Angle. 1/2" square bar perimeter trim.

Top panel from #3 structural steel catwalk grating.

Tree well size: 92" x 92"

Tree opening: 16", 20", 24"

Trim Ring can be ordered with or later expanded to these openings.

Check with design department when requesting custom tree openings.

Finish: Galvanized

Weight: 520Lb (237Kg)

Produced under exclusive license U.S. Patent #5,787,637

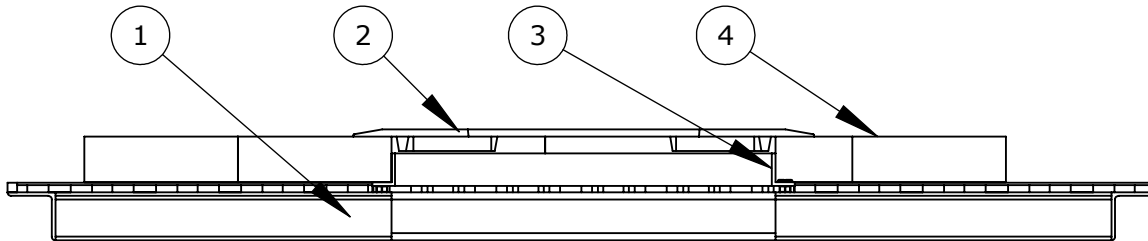
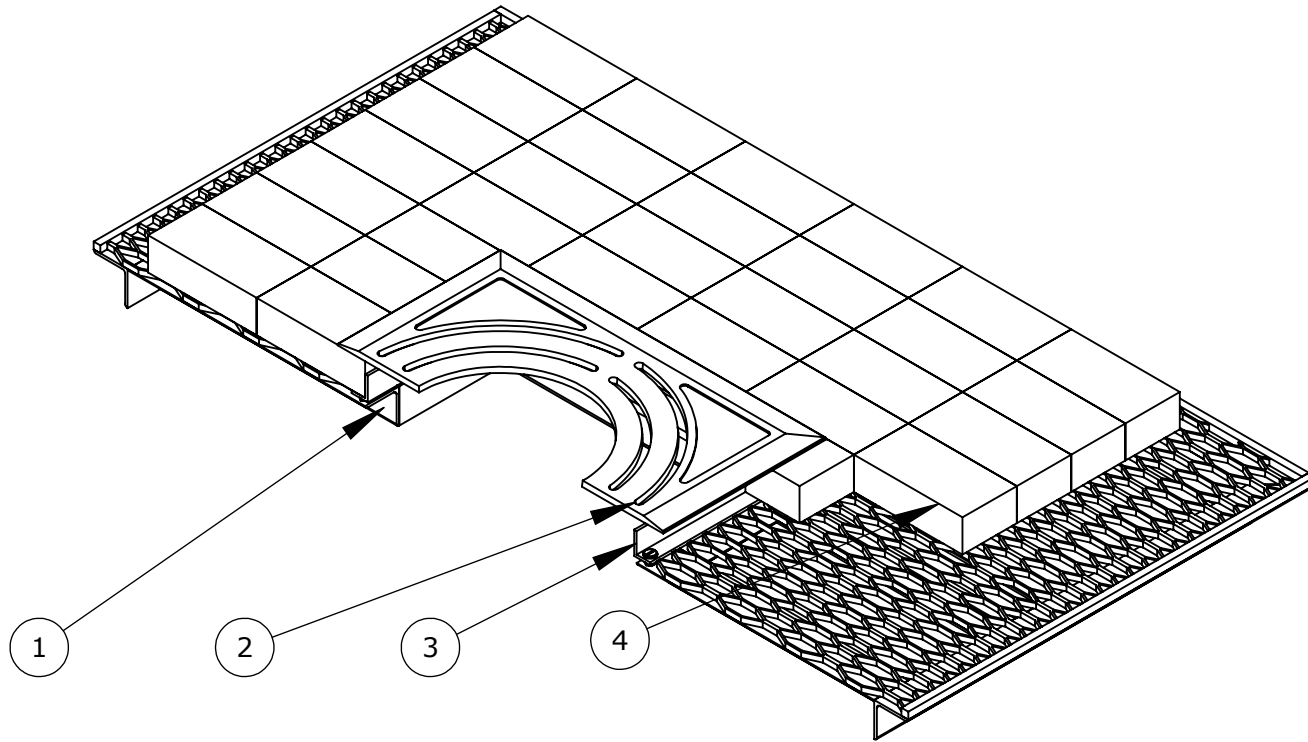
DO NOT SCALE DRAWING

IRONSMITH
 41-701 Corporate Way #3
 Palm Desert, CA 92260
 (800) 338-4766
 (760) 776-5080 Fax

PROPRIETARY AND CONFIDENTIAL

This drawing embodies a confidential design of IRONSMITH, INC. Palm Desert, CA. All design, manufacturing, reproduction, use, sale, and other rights regarding the same are expressly reserved. This drawing is submitted under confidential relationship for a specific purpose and the recipient agrees by accepting this drawing not to supply or disclose any information regarding it to any unauthorized person or to incorporate any special feature peculiar to this design in other projects. The information in this drawing may be covered completely or in part by patents pending.

Trim Ring
Installed View



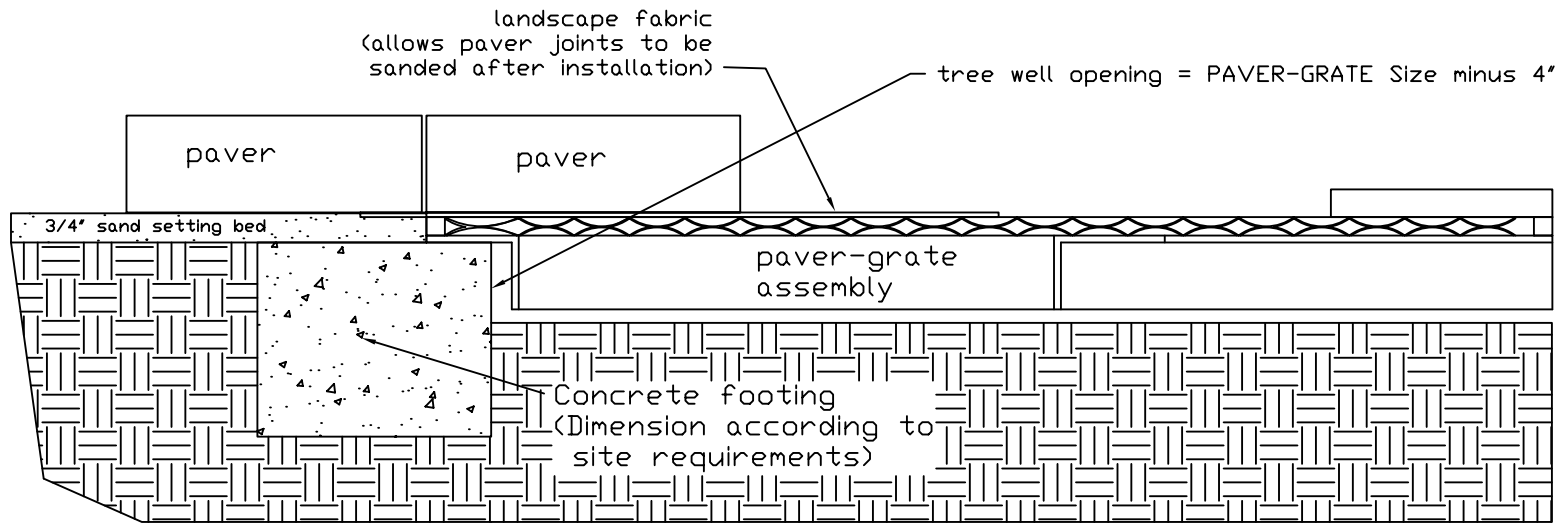
NO.	PART
1	Paver-Grate
2	Trim Ring
3	20in tree insert
4	Pavers

This drawing embodies a confidential proprietary design of IRONSMITH, INC. Palm Desert, Ca. All design, manufacturing, reproduction, use, sale, and other rights regarding the same are expressly reserved. This drawing is submitted under confidential relationship for a specific purpose and the recipient agrees by accepting this drawing not to supply or disclose any information regarding it to any unauthorized person or to incorporate any special feature peculiar to this design in other projects. The information in this drawing may be covered completely or in part by patents pending.

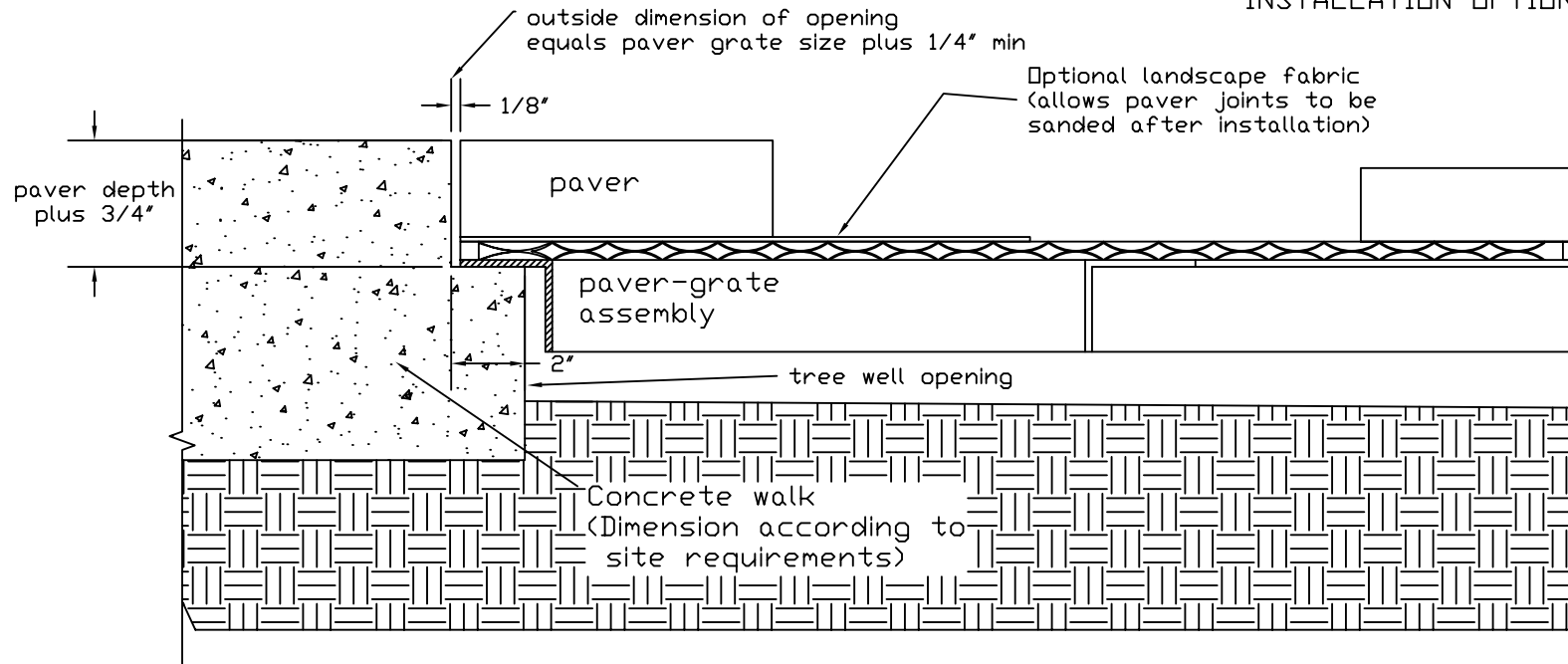
IRONSMITH
 41-701 Corporate Way #3
 Palm Desert, CA 92260
 (800) 338-4766
 (760) 776-5080 Fax

**PAVER-GRATE (TM)
INSTALLATION
DETAILS**

If using a mechanical compactor after paver installation avoid Paver-Grate area.



INSTALLATION OPTIONS



This drawing embodies a confidential proprietary design of IRONSMITH, INC. Palm Desert, Ca. All design, manufacturing, reproduction, use, sale, and other rights regarding the same are expressly reserved. This drawing is submitted under confidential relationship for a specific purpose and the recipient agrees by accepting this drawing not to supply or disclose any information regarding it to any unauthorized person or to incorporate any special feature peculiar to this design in other projects. The information in this drawing may be covered completely or in part by patents pending.

IRONSMITH
41-701 Corporate Way #3
Palm Desert, CA 92260
(800) 338-4766
(760) 776-5080 Fax

6224TR

Olympian Trim Ring

28" Square trim ring grate in two sections.
Fits 24" Tree opening in Paver-Grate

1/2" maximum slot opening for A.D.A. compliance and pedestrian safety.

Cast from 100% recycled Iron, Aluminum, or Bronze for Pedestrian loads only.

Tree opening: 16", 20", 24"
Grates can be ordered with or later expanded to these openings.

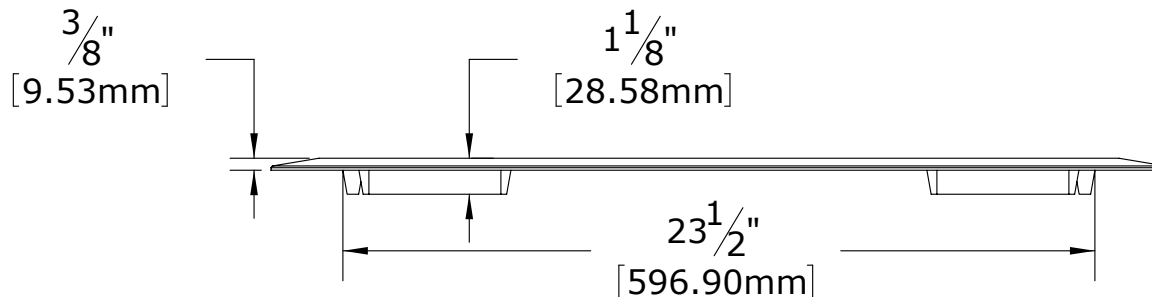
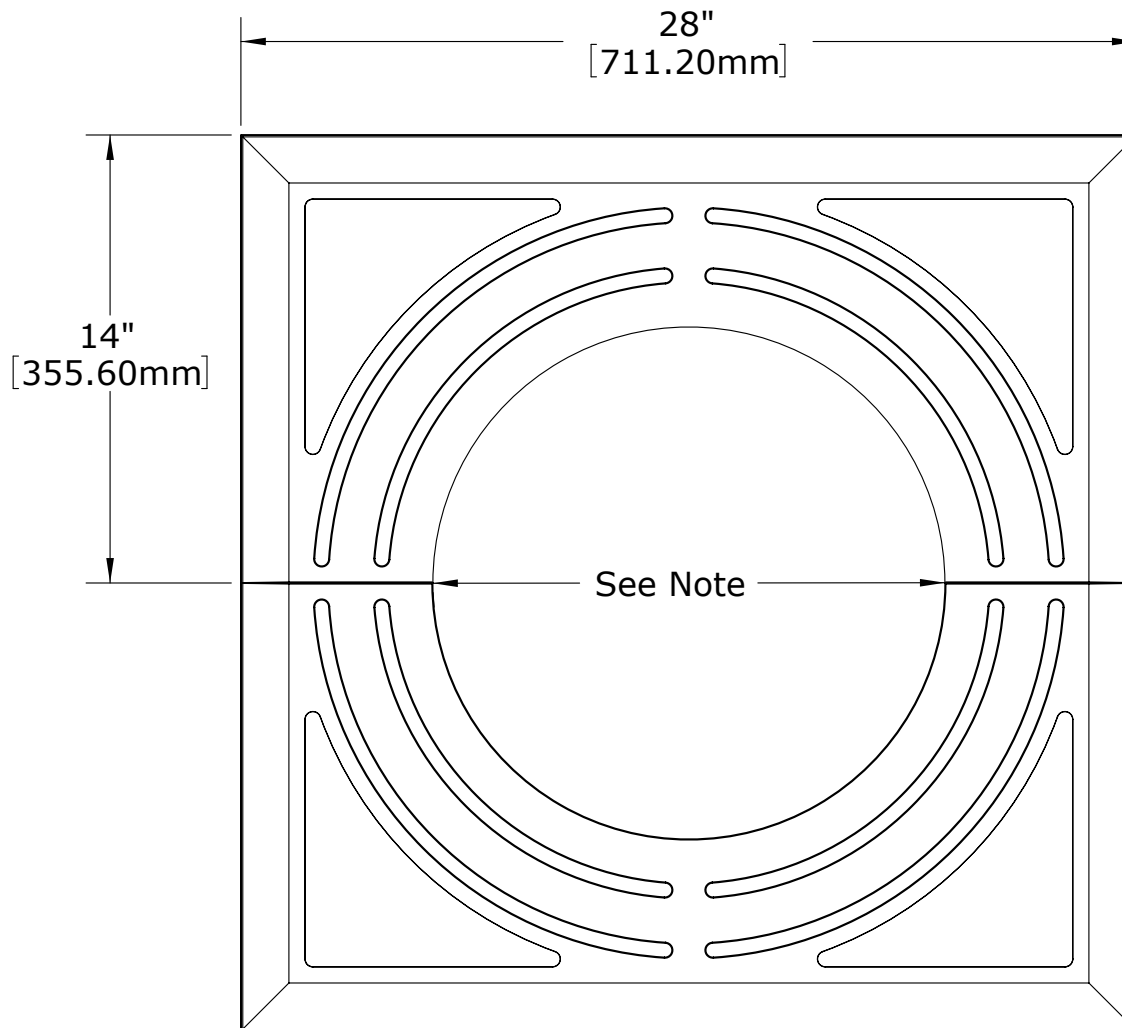
Finish: Unfinished, or Black Dip, or Enamel Paint, or Polyurethane Paint, or Powder Coat.
Zinc undercoat available.

Specify finish and color.

Weight:
Iron= 58Lb (26.4Kg)
Aluminum= 22Lb (10Kg)

DO NOT SCALE DRAWING

IRONSMITH
41-701 Corporate Way #3
Palm Desert, CA 92260
(800) 338-4766
(760) 776-5080 Fax



PROPRIETARY AND CONFIDENTIAL

This drawing embodies a confidential design of IRONSMITH, INC. Palm Desert, CA. All design, manufacturing, reproduction, use, sale, and other rights regarding the same are expressly reserved. This drawing is submitted under confidential relationship for a specific purpose and the recipient agrees by accepting this drawing not to supply or disclose any information regarding it to any unauthorized person or to incorporate any special feature peculiar to this design in other projects. The information in this drawing may be covered completely or in part by patents pending.