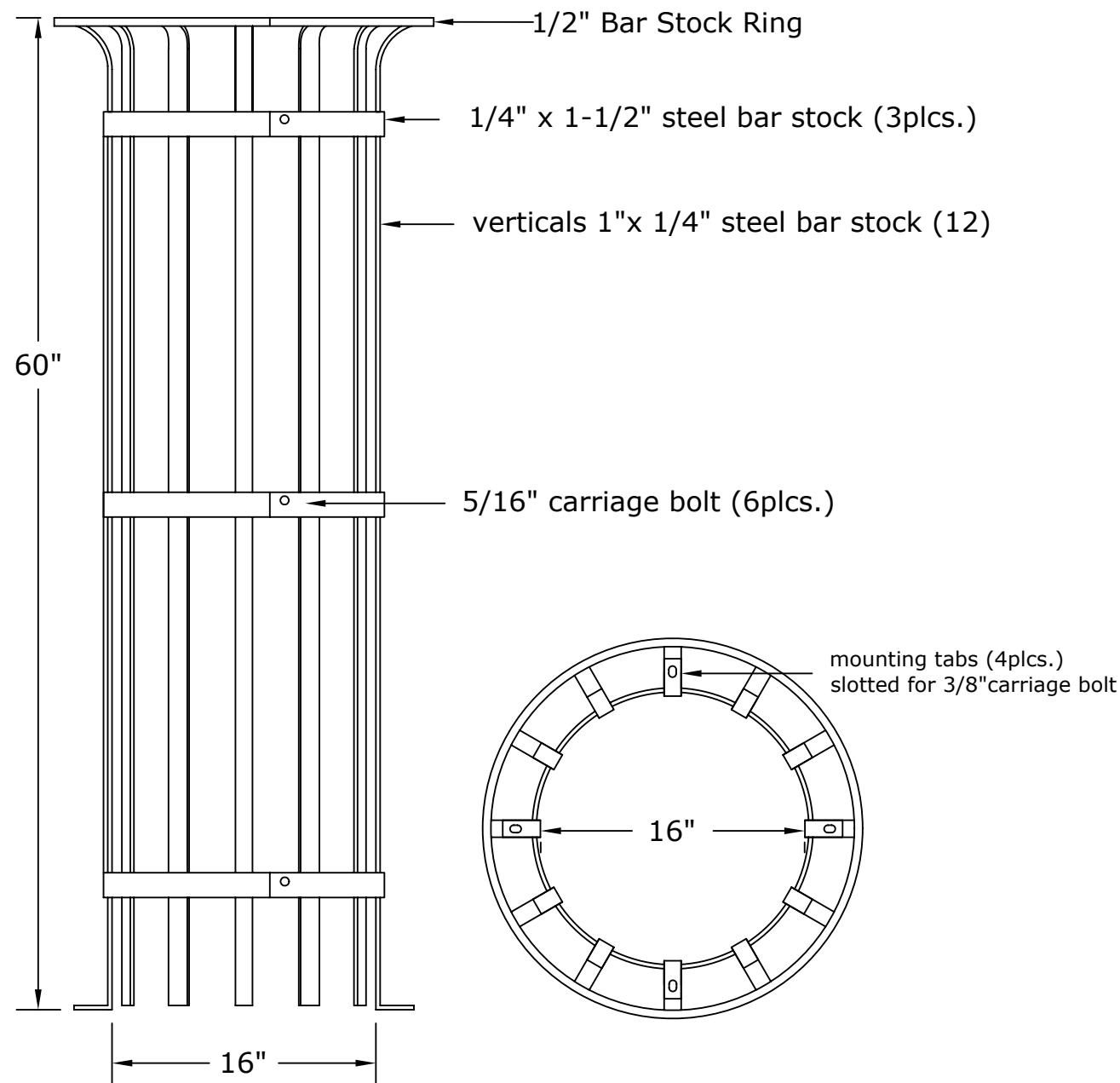


M13 TREE GUARD



Guards factory welded in two bolt together sections. Assembly hardware provided

60" Standard height. 16" standard opening Other heights and widths maybe custom ordered.

Finish Options:
Powder Coat low gloss Black
Standard

Custom Color matched
Polyurethane paint

Selected standard Powder coat color.

This drawing embodies a confidential proprietary design of IRONSMITH, INC. Palm Desert, Ca. All design, manufacturing, reproduction, use, sale, and other rights regarding the same are expressly reserved. This drawing is submitted under confidential relationship for a specific purpose and the recipient agrees by accepting this drawing not to supply or disclose any information regarding it to any unauthorized person or to incorporate any special feature peculiar to this design in other projects. The information in this drawing may be covered completely or in part by patents pending.

IRONSMITH
41-701 Corporate Way #3
Palm Desert, CA 92260
(800) 338-4766
(760) 776-5080 Fax