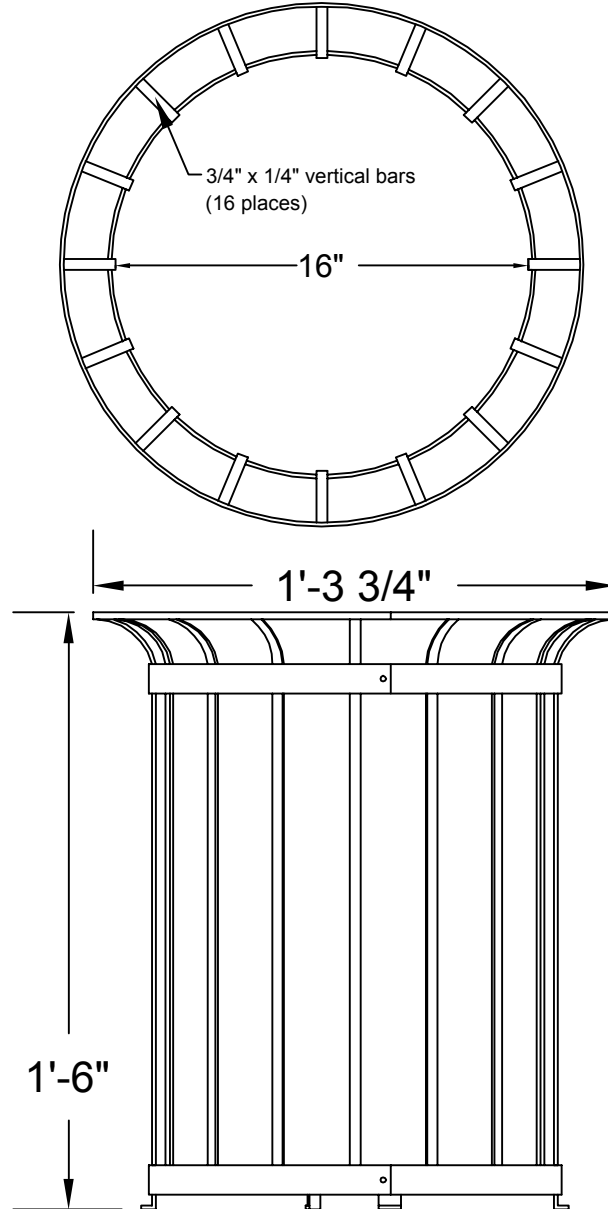


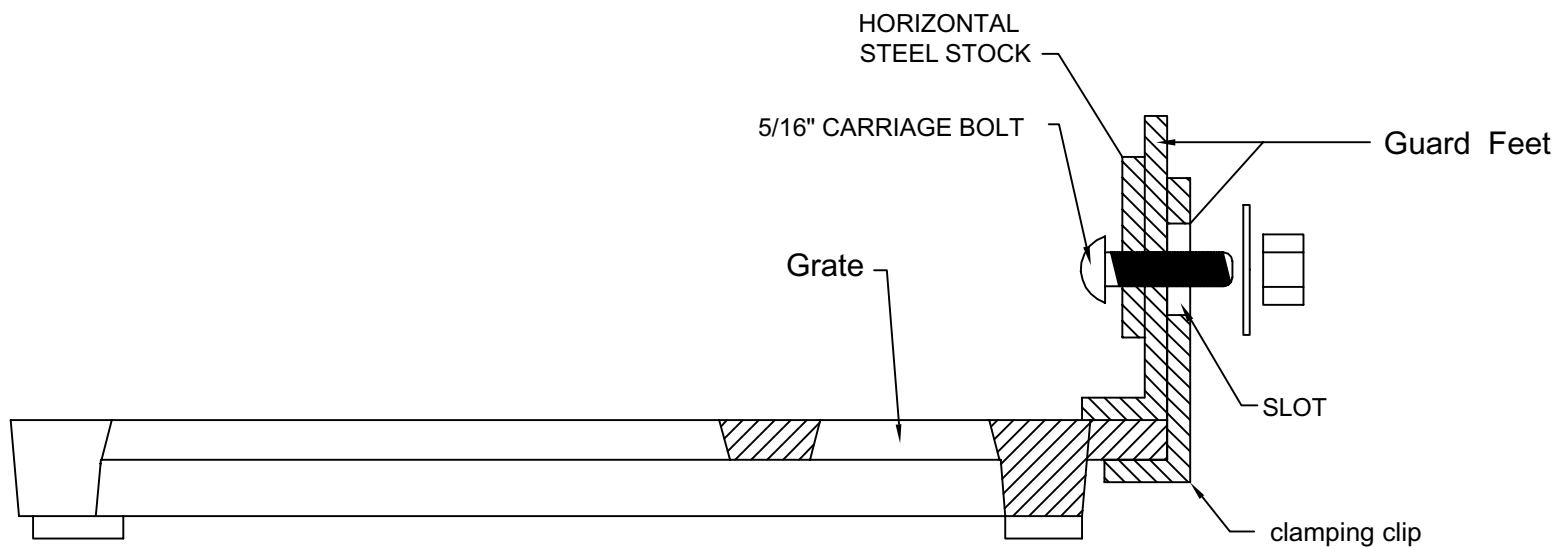
TREE GUARD

M18



- Jig welded from hot rolled steel.
- Guards are constructed in halves and bolt together and bolt to top of tree grate
- Other tree openings and heights can be specified.
- All hardware provided by IRONSMITH
- Black powder coat standard finish
other finish options available

ATTACHMENT TO GRATE 4 PLACES



This drawing embodies a confidential proprietary design of IRONSMITH Palm Desert, CA. All design, manufacturing, reproduction, use, sale, and other rights regarding the same are expressly reserved. This drawing is submitted under confidential relationship for a specific purpose and the recipient agrees by accepting this drawing not to supply or disclose any information regarding it to any unauthorized person or to incorporate any special feature peculiar to this design in other projects. The information disclosed in this drawing may be covered completely or in part by patents pending.

X:\WORKING\Tree guards\Working Dwg\M18-18.dwg, 12/12/2006 2:36:52 PM

IRONSMITH
41-651 Corporate Way #2&3
Palm Desert, CA 92260
(800) 338-4766
(760) 776-5080 Fax