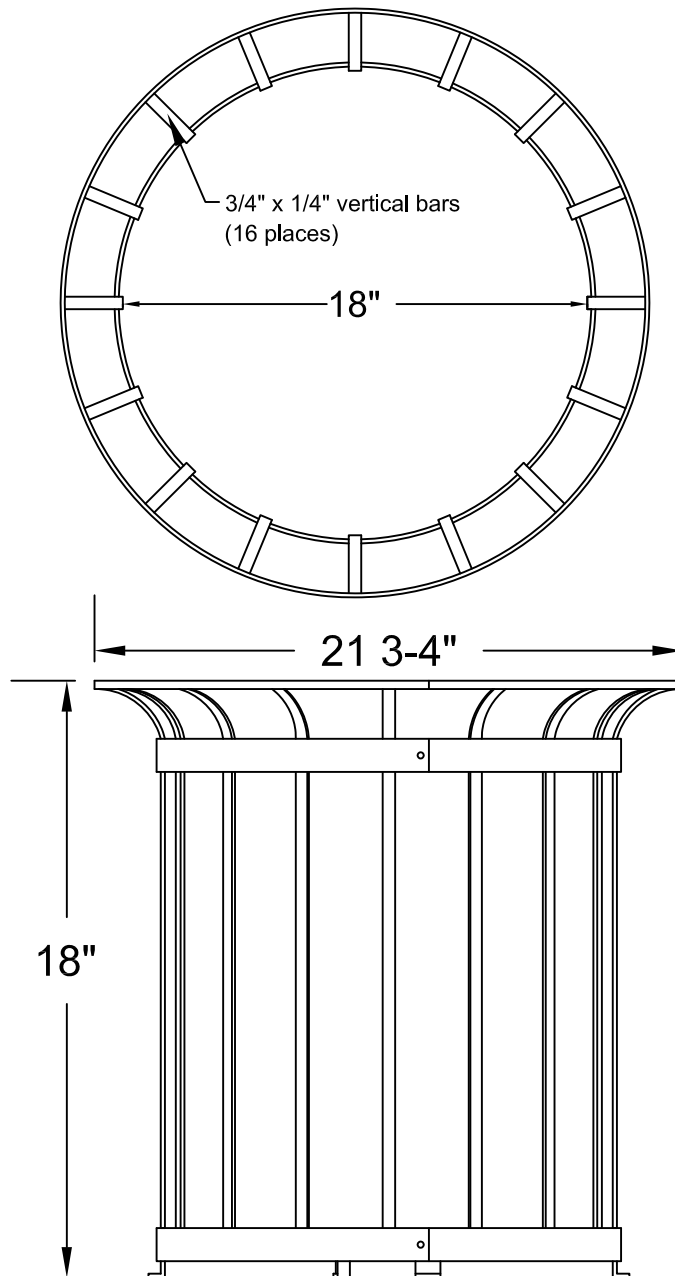


TREE GUARD

M18-18



- Jig welded from hot rolled steel.
- Guards are constructed in halves and bolt together and bolt to top of tree grate
- Other tree openings and heights can be specified.
- All hardware provided by IRONSMITH
- Black powder coat standard finish
other finish options available