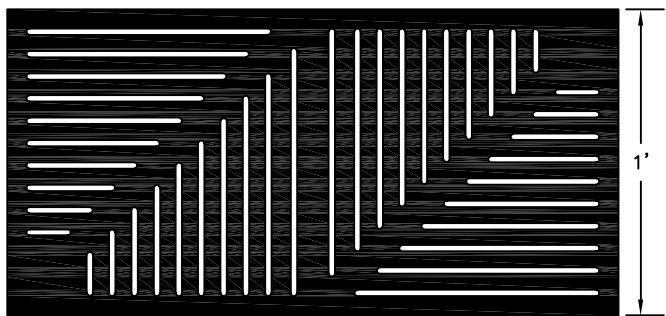
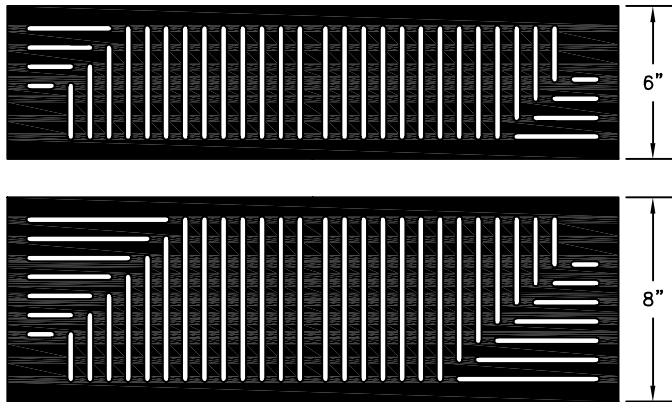
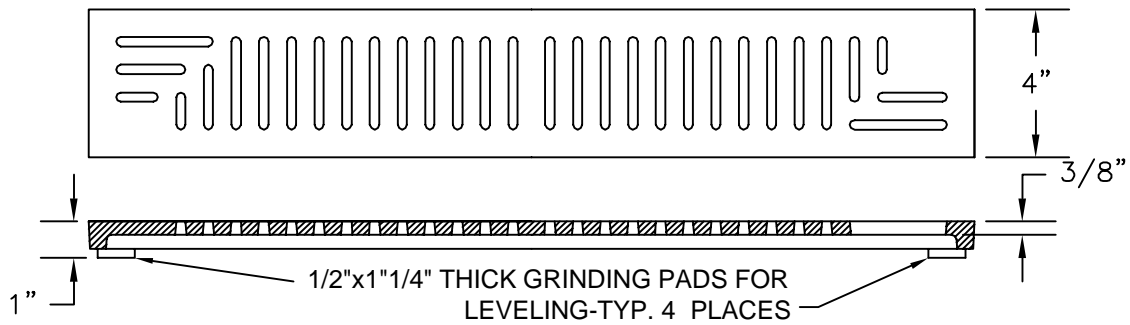


# BRIAR

## TRENCH GRATE # M9049



| MODEL    | DIMENSIONS  |              | CLEAR OPENING/ LN.FT.<br>IRON/ALUMINUM |
|----------|-------------|--------------|--|
|          | GRATE WIDTH | TRENCH WIDTH |  |
| M9049-4  | 4"          | 2-1/4"       | 8.5 SQ. IN.                            |
| M9049-6  | 6"          | 4-1/4"       | 15.5 SQ. IN.                           |
| M9049-8  | 8"          | 6-1/4"       | 23 SQ. IN.                             |
| M9049-12 | 12"         | 10-1/4"      | 28.5 SQ. IN.                           |

- These trench grates are for pedestrian traffic only.
- Standard lengths are 24"-customs sizes and curved sections available.
- Cast with 1/4" maximum slot openings for increased pedestrian safety and compliance with A.D.A. guidelines.
- Cast gray iron or cast aluminum from recycled metals
- Pilfer-proof bolting available.
- For coating options, please see section on "Finishes".

