

9054-4-CP

Conquistador

4" x 12"

Trench Grate 90 Degree corner section.

3/8" maximum slot opening for A.D.A. compliance and pedestrian safety.

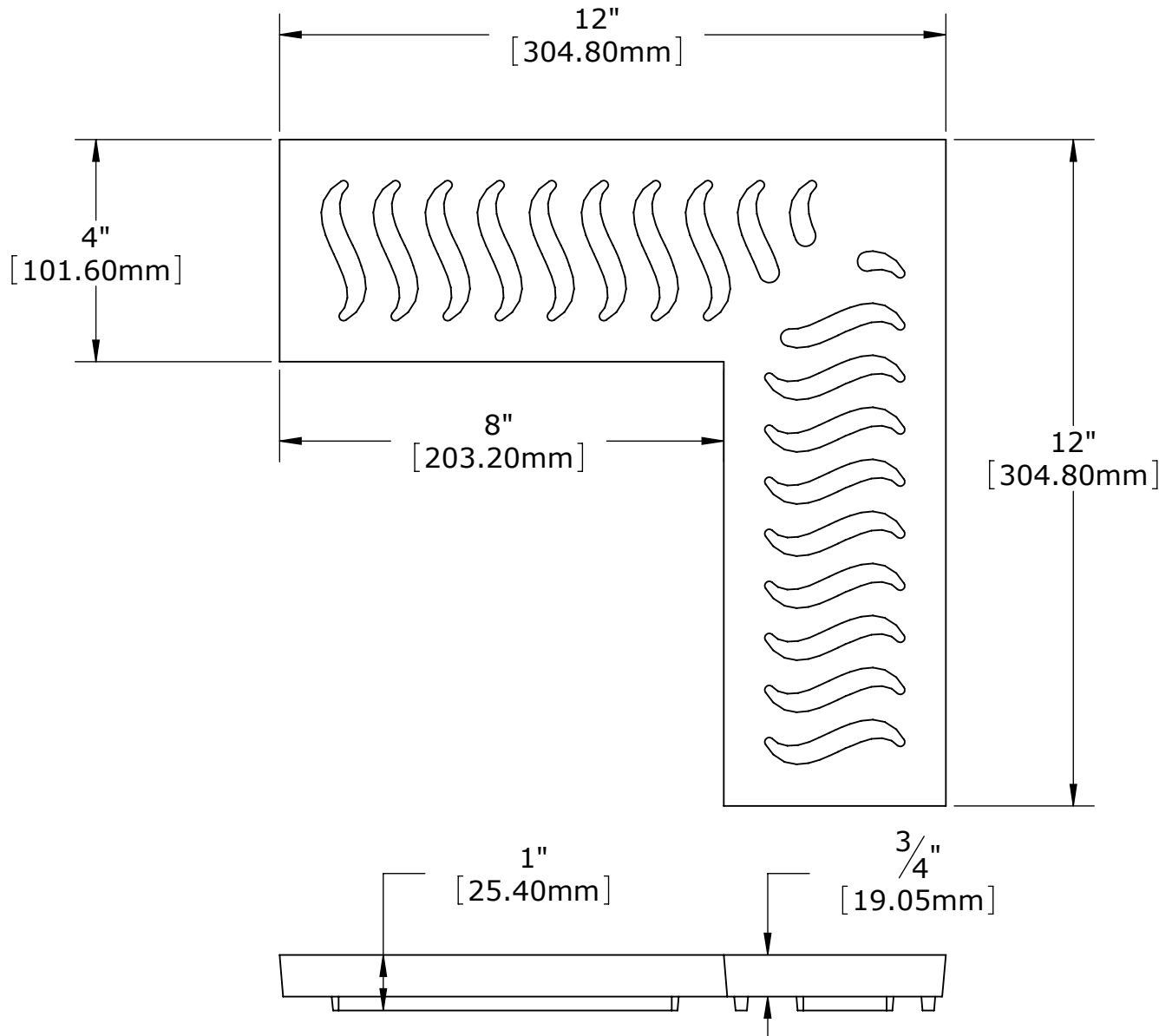
Cast from 100% recycled Iron, Aluminum, or Bronze for Pedestrian loads only.

Finish: Unfinished, or Black Dip, or Enamel Paint, or Polyurethane Paint, or Powder Coat. Zinc undercoat available.

Specify finish and color.

Use Frame Model: 9000F-4

Weight:
Iron= 10 Lbs / 4.5 Kg
Aluminum= 3.3 Lb/1.5Kg



DO NOT SCALE DRAWING

IRONSMITH

41-701 Corporate Way #3
Palm Desert, CA 92260
(800) 338-4766
(760) 776-5080 Fax

PROPRIETARY AND CONFIDENTIAL

This drawing embodies a confidential design of IRONSMITH, INC. Palm Desert, CA. All design, manufacturing, reproduction, use, sale, and other rights regarding the same are expressly reserved. This drawing is submitted under confidential relationship for a specific purpose and the recipient agrees by accepting this drawing not to supply or disclose any information regarding it to any unauthorized person or to incorporate any special feature peculiar to this design in other projects. The information in this drawing may be covered completely or in part by patents pending.